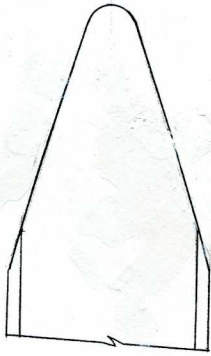
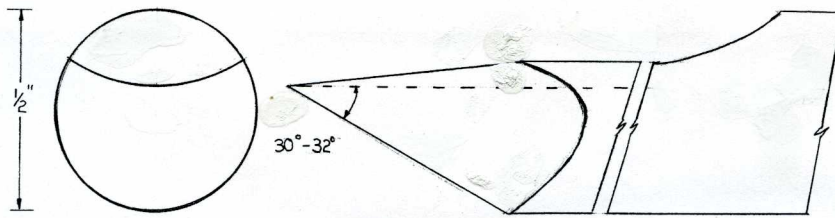
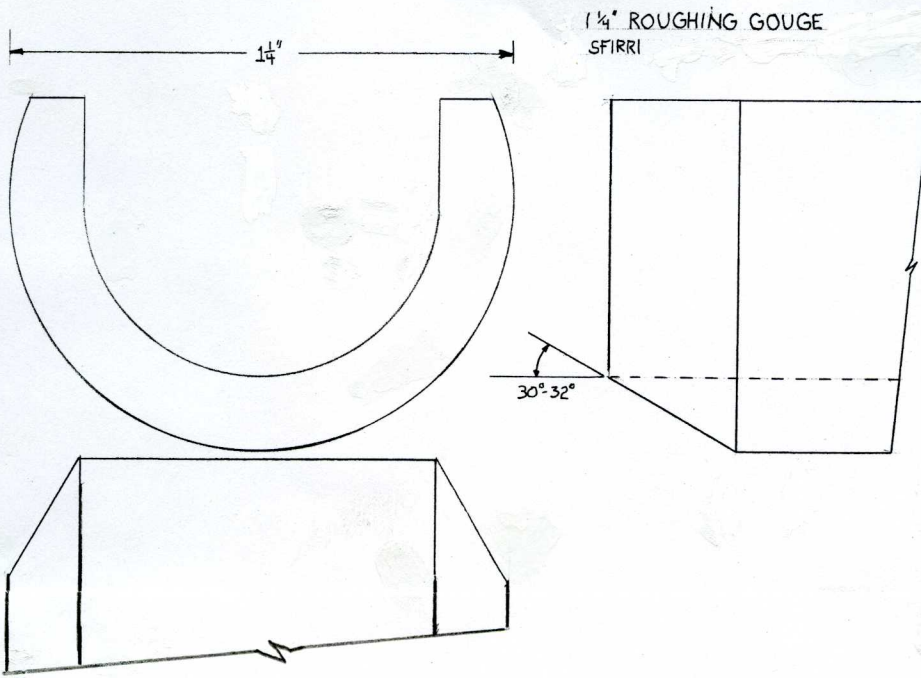
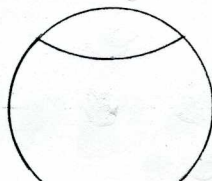


Spindle Turning Tool Profiles

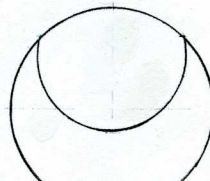
Mark Stirri



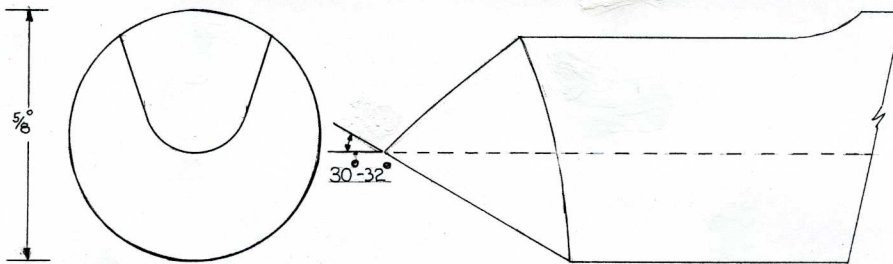
1/2" ONEWAY MASTERCUT SPINDLE GOUGE
SFIRRI



12 MM P+N DETAIL GOUGE



1/2" SPINDLE GOUGE



5/8" DEEP FLUTED BOWL GOUGE = SPINDLE GRIND
SFIRRI

